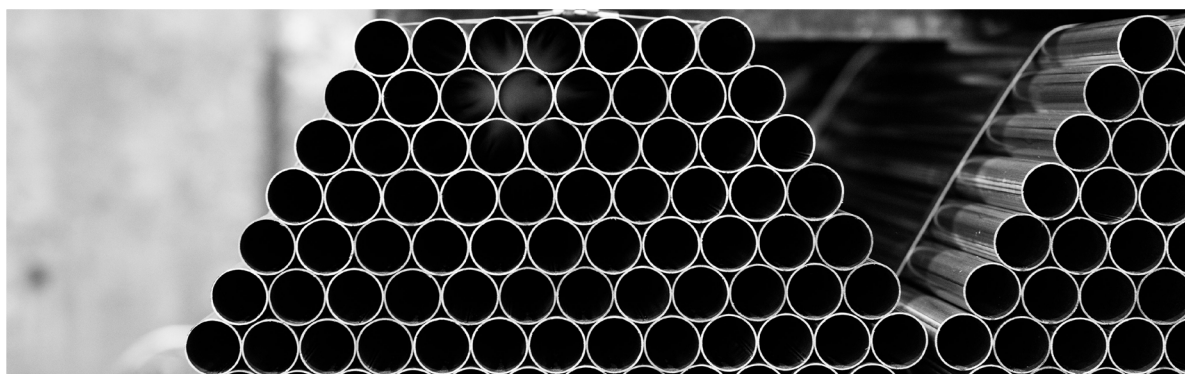


TUBOS

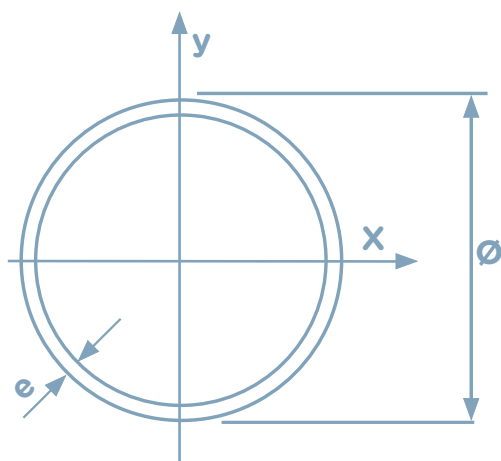
Tubo conformado en frío redondo

Todas estas medidas hasta 3 mm se pueden fabricar en galvanizadas.

Φ (mm)	e (mm)											
	1	1.25	1.5	2	2.5	3	3.5	4	5	6	7	8
12	0.271	0.331	0.388									
13	0.296	0.362	0.425									
14	0.321	0.393	0.462									
16	0.370	0.455	0.536									
18	0.419	0.516	0.610	0.789								
19	0.444	0.547	0.647	0.838								
20	0.469	0.578	0.684	0.888								
22	0.518	0.640	0.758	0.986								
25	0.592	0.732	0.869	1.134								
28	0.666	0.825	0.980	1.282								
30	0.715	0.886	1.054	1.381								
32	0.765	0.948	1.128	1.480	1.819							
35	0.838	1.040	1.239	1.628	2.004							
38	0.912	1.133	1.350	1.776	2.189	2.589						
40	0.962	1.195	1.424	1.874	2.312	2.737						
42	1.011	1.256	1.498	1.973	2.435	2.885						
45	1.085	1.349	1.609	2.121	2.620	3.107						
48	1.159	1.441	1.720	2.269	2.805	3.329						
50	1.208	1.503	1.794	2.368	2.929	3.477	4.014	4.538				
60		1.811	2.164	2.861	3.545	4.217	4.877	5.524				



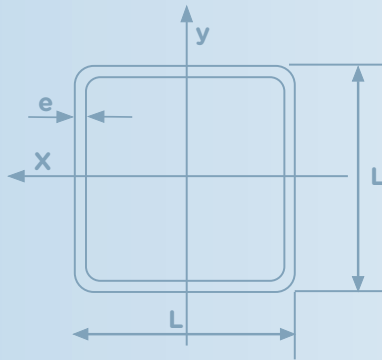
Φ	e (mm)											
(mm)	1	1.25	1.5	2	2.5	3	3.5	4	5	6	7	8
70			2.534	3.354	4.162	4.957	5.740	6.511	8.015			
76			2.756	3.650	4.532	5.401	6.258	7.103	8.754			
80			2.904	3.847	4.778	5.697	6.603	7.497	9.248			
90			3.274	4.340	5.395	6.437	7.456	8.484	10.481			
100				4.834	6.011	7.177	8.329	9.470	11.714	13.909		
125				6.067	7.553	9.026	10.487	11.936	14.796	17.608		23.083
152						11.023		14.599	18.126	21.603	25.031	28.410
178								17.164	21.332	25.450	29.519	33.539
200								19.334	24.044	28.705	33.317	37.880





Tubo conformado en frío cuadrado

Todas estas medidas hasta 3 mm se pueden fabricar en galvanizadas.

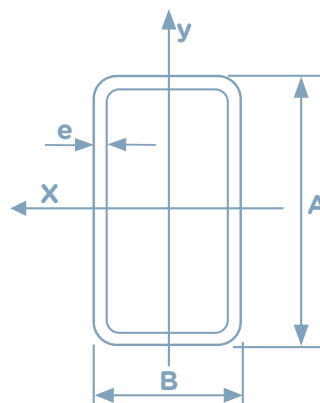


L (mm)	e (mm)												
	1	1.25	1.5	2	2.5	3	3.5	4	5	6	7	8	
10	0.283	0.343	0.400										
12	0.345	0.422	0.495	0.628									
14	0.408	0.500	0.589	0.754									
16	0.471	0.579	0.683	0.879	1.060								
18	0.534	0.657	0.777	1.005	1.217								
20	0.597	0.736	0.871	1.130	1.374	1.601							
25	0.754	0.932	1.107	1.444	1.766	2.072							
30	0.911	1.128	1.342	1.758	2.159	2.543							
35	1.068	1.325	1.578	2.072	2.551	3.014							
40	1.225	1.521	1.813	2.386	2.944	3.485	4.011	4.522					
45		1.717	2.049	2.700	3.336	3.956							
50			2.284	3.014	3.729	4.427	5.110	5.778	7.065				
60			2.755	3.642	4.514	5.369	6.209	7.034	8.635				
70			3.226	4.270	5.299	6.311	7.308	8.290	10.205				
80				4.898	6.084	7.253	8.407	9.546	11.775	13.942	16.045	18.086	
90				5.526	6.869	8.195	9.506	10.802	13.345	15.826	18.243	20.598	
100				6.154	7.654	9.137	10.605	12.058	14.915	17.710	20.441	23.110	
120								14.570	18.055	21.478	24.837	28.134	
125								15.198	18.840	22.420	25.936	29.390	
140								17.082	21.195	25.246	29.233	33.158	
150								18.338	22.765	27.130	31.431	35.670	
160								19.594	24.335	29.014	33.629	38.182	



Tubo conformado en frío rectangular

Todas estas medidas hasta 3 mm se pueden fabricar en galvanizadas.



A*B (mm)	e (mm)											
	1	1.25	1.5	2	2.5	3	3.5	4	5	6	7	8
16*10	0.370	0.455	0.536									
20*10	0.438	0.547	0.632									
20*15	0.516	0.640	0.750									
25*10	0.516	0.640	0.750									
25*15	0.595	0.733	0.868	1.120								
25*20	0.673	0.825	0.985	1.280								
30*10	0.595	0.733	0.868									
30*15	0.673	0.825	0.985	1.280								
30*20	0.752	0.930	1.100	1.440								
30*25	0.838	1.040	1.220	1.590								
35*10	0.673	0.825	0.985									
35*15	0.752	0.930	1.100	1.440								
35*20	0.838	1.040	1.220	1.590								
35*25	0.912	1.130	1.340	1.750								
40*10	0.752	0.930	1.100									
40*15	0.838	1.040	1.220	1.590								
40*20	0.912	1.130	1.340	1.750								
40*25	0.986	1.225	1.460	1.910								
40*27	0.986	1.225	1.460	1.910								
40*30	1.060	1.318	1.570	2.070	2.540	2.830						
40*35	1.159	1.441	1.690	2.220	2.740	3.249						
45*10	0.838	1.040	1.220									
45*15	0.912	1.130	1.340	1.750								
45*20	0.986	1.225	1.460	1.910								
45*25	1.060	1.318	1.570	2.070								



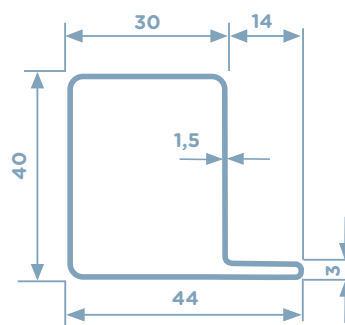
A*B (mm)	e (mm)											
	1	1.25	1.5	2	2.5	3	3.5	4	5	6	7	8
50*10	0.912	1.130	1.340									
50*15	0.986	1.225	1.460	1.910								
50*20	1.060	1.318	1.570	2.070								
50*25	1.159	1.441	1.690	2.220								
50*30	1.208	1.503	1.810	2.380	2.930	3.300						
50*35		1.626	1.927	2.537								
50*40		1.719	2.050	2.690	3.330	3.770						
60*10	1.060	1.318	1.670									
60*15	1.159	1.441	1.690	2.220								
60*20	1.208	1.503	1.810	2.380								
60*30		1.719	2.050	2.690	3.330	3.770						
60*40			2.275	3.010	3.720	4.250	5.110	5.450	6.560			
60*50				3.320	4.110	4.720	5.659	6.080	7.340			
70*20			2.050	2.690								
70*30			2.275	3.010	3.720	4.250						
70*40			2.534	3.320	4.110	4.720						
70*50				3.640	4.500	5.190	6.209	6.710				
80*20			2.275	3.010								
80*30				3.320	4.110	4.720	5.659	6.080				
80*40			2.756	3.640	4.500	5.190	6.209	7.033	8.635			
80*50				3.950	4.900	5.840	6.758	7.661	9.420			
80*60				4.260	5.290	6.311	7.308	8.289	10.205			
90*30				3.640	4.500	5.190						
90*40				3.950	4.900	5.660	6.758	7.340				
90*50				4.260	5.290	6.130	7.308	7.970	9.700			
100*30				3.950	4.900	5.840						
100*40				4.260	5.290	6.130	7.308	7.970	9.700			
100*50				4.587	5.680	6.600	7.857	8.590	10.480			
100*60				4.834	6.070	7.070	8.407	9.220	11.270			
100*80				5.475	6.813	8.010	9.506	10.480	12.840	15.825		20.598



A*B (mm)	e (mm)											
	1	1.25	1.5	2	2.5	3	3.5	4	5	6	7	8
120*40				4.834	6.050	7.070	8.407	9.220				
120*50								9.850	12.560	14.883		
120*60				5.526	6.868	8.195	9.506	10.801	13.345	15.825		
120*80				6.154	7.653	9.137	10.605	12.057	14.915	17.809		23.110
120*100									16.485	19.593	22.639	25.622
140*60						9.137		12.057	14.915	17.709	20.441	23.104
140*80								13.760	17.000	20.160	23.240	26.240
150*50						9.137		12.057	14.915	17.709	20.440	23.110
160*80								14.569	18.055	21.477	24.837	28.134
180*100								17.081	21.195	25.245	29.233	33.158
200*80								17.081	21.195	25.245	29.233	33.158
200*100								18.337	22.765	27.129	31.431	35.670
200*120								19.593	24.335	29.013	33.629	38.182

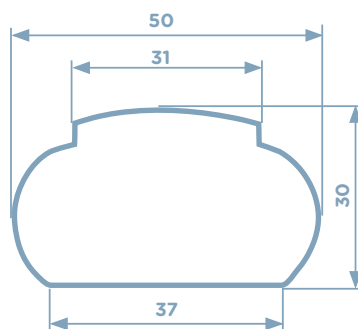
Tubo conformado en frio cerco x 1,5

Peso/Poids/Peso: 1,868 kg/m



Tubo conformado en frio pasamano x 1,5

Peso/Poids/Peso: 1,498 kg/m

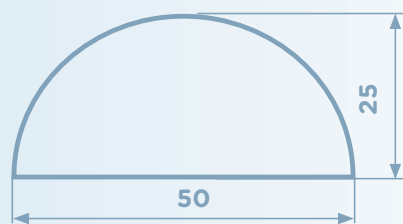
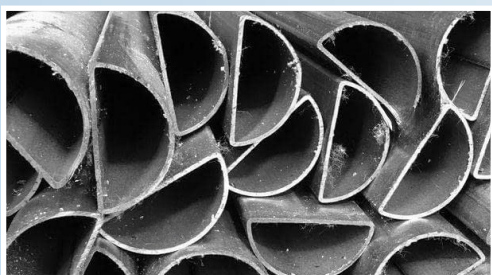


TUBOS



Tubo conformado en frío pasamano media caña 1,5

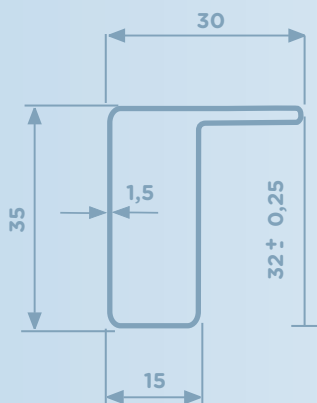
Peso/Poids/Peso: 1,498 kg/m



Tubo conformado carpintería metálica

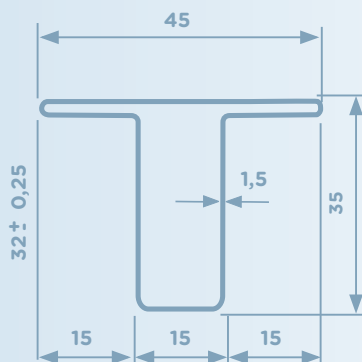
Todas estas medidas hasta 3 mm se pueden fabricar en galvanizadas.

X-21



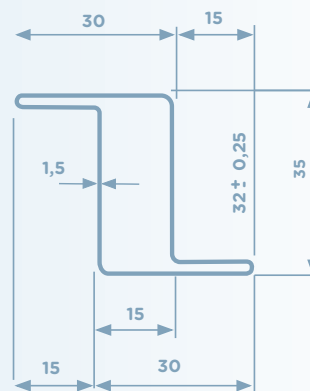
Peso/Poids/Peso: 1,407 kg/m

X-22



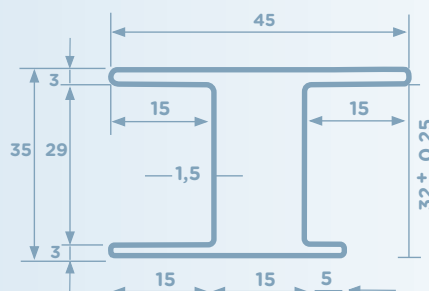
Peso/Poids/Peso: 1,754 kg/m

X-23



Peso/Poids/Peso: 1,778 kg/m

X-27



Peso/Poids/Peso: 2,207 kg/m

